

# STYLE IN MOTION

REPAIR, INSTALL AND TROUBLESHOOTING GUIDE

**AMERICAN**  
LEATHER®

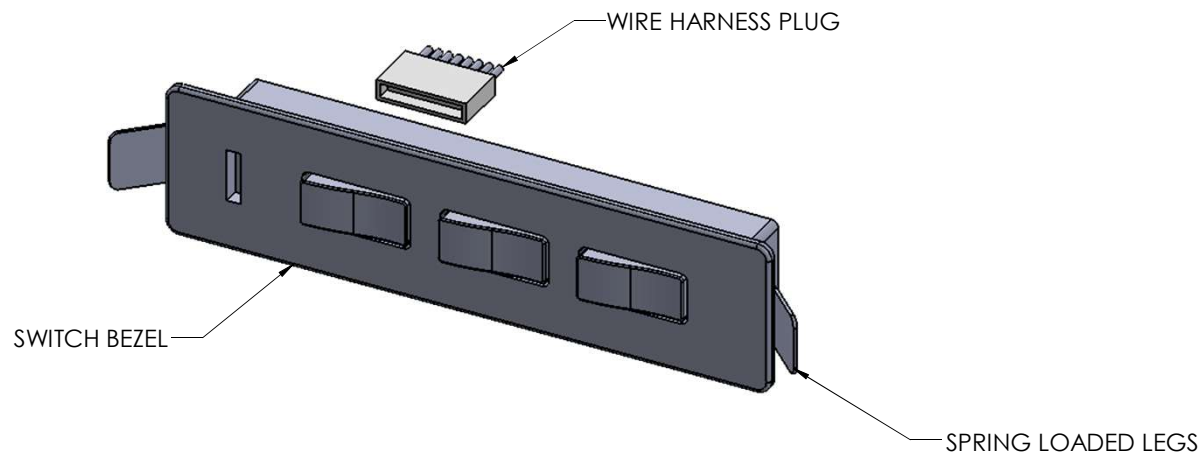
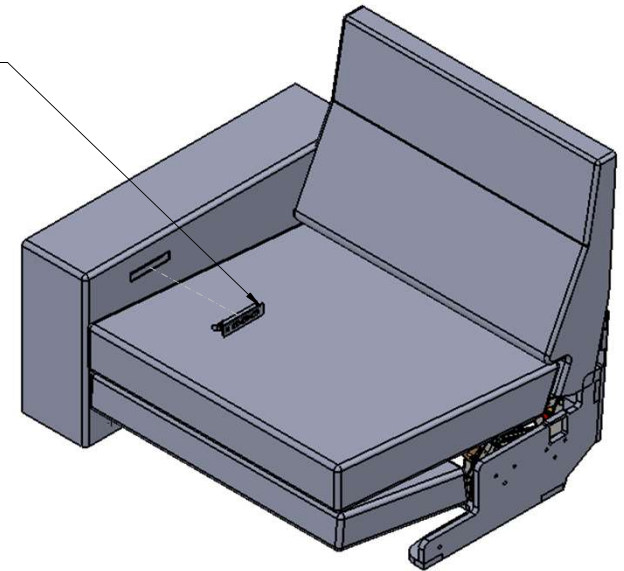
## **STYLE IN MOTION GUIDE:**

- **PAGE 3: HOW TO REPLACE THE SWITCH.**
- **PAGE 4-8: HOW TO REMOVE AND REPLACE THE MECHANISM.**
- **PAGE 9: HOW TO REMOVE AND REPLACE THE CONTROL BOX.**
- **PAGE 10: HOW TO REMOVE AND REPLACE BATTERY.**
- **PAGE 11-12: HOW TO REMOVE AND REPLACE DAMAGED FOOTREST ROLLERS.**
- **PAGE 13-14: HOW TO REMOVE AND REPLACE DAMAGED HOOK LINKAGE.**
- **PAGE 15-17: TROUBLE SHOOTING GUIDE.**
- **PAGE 18-20: STYLE IN MOTION PARTS.**

## TO REMOVE AND REPLACE THE SWITCH:

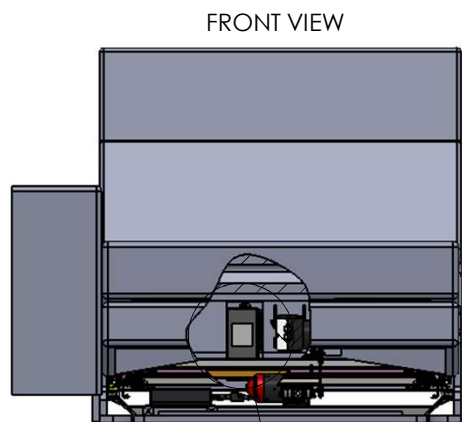
1. USE A FLATHEAD SCREW DRIVER AND GENTLY PLACE BEHIND THE SWITCH BEZEL. USE CAUTION NOT TO SCRATCH THE BEZEL.
2. PULL SWITCH OUT. USE CAUTION AS THE SWITCH LEGS ARE SPRING LOADED AND WILL SNAP SHUT IF LET GO TOO QUICKLY.
3. ONCE REMOVED FROM ARMREST, UNPLUG SWITCH FROM THE WIRE HARNESS PLUG. USE CAUTION NOT TO LET THE HARNESS DROP DOWN INTO ARMREST.
4. REPLACE WITH NEW SWITCH(PART#161356) AND PLUG INTO HARNESS. IF HARNESS HAPPENS TO DROP DOWN INTO ARMREST, IT WILL NEED TO BE RE-ROUTED BACK OUT THROUGH THE SWITCH CUTOUT IN THE ARMREST.
5. SPRING LOADED LEGS MUST BE FORCED BACK AS YOU INSERT THE SWITCH BACK INTO THE ARMREST.

SWITCH TO BE REMOVED

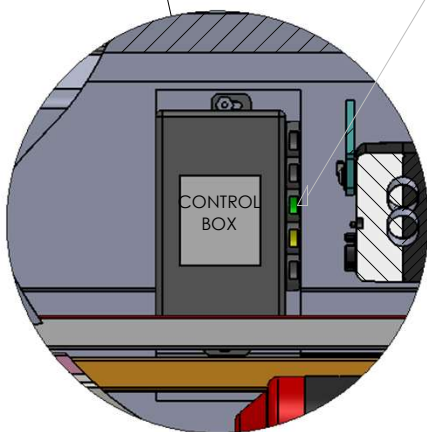


## REMOVING THE STYLE IN MOTION MECHANISM:

FOLLOW STEPS BELOW IN ORDER.



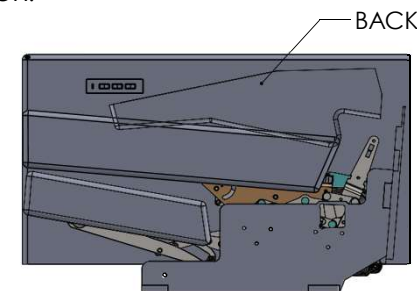
1. WITH A SLIGHT UPWARD MOTION, HIT THE SIDE OF THE BACK ON BOTH SIDES.



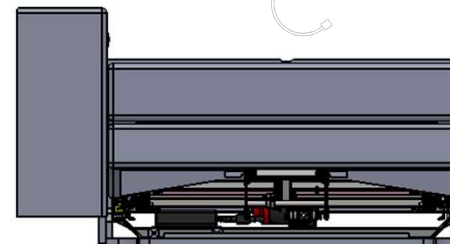
3. NOW WITH THE BACK LEANED FORWARD, REMOVE THE PLUG FROM THE GREEN PORT ON THE CONTROL BOX. YOU CAN NOW REMOVE THE BACK AND SET IT ASIDE.

4. REMOVE THE BACK AND SET IT ASIDE.

2. WITH THE BACK LOOSE FROM THE MECHANISM, LET IT LEAN FORWARD SO YOU CAN GAIN ACCESS TO THE CONTROL BOX.



SIDE VIEW

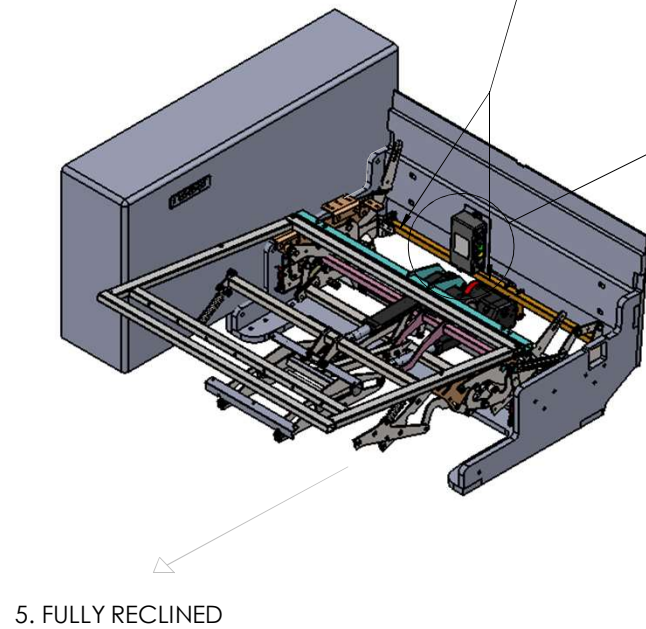


FRONT VIEW

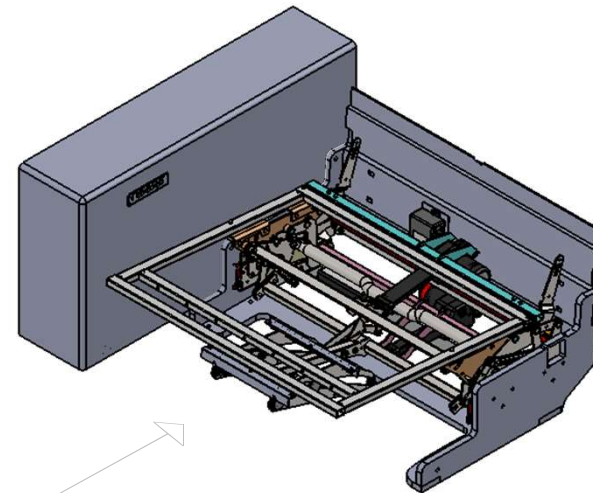
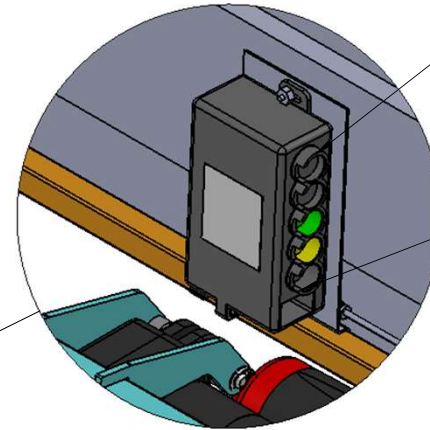
INSTRUCTIONS CONTINUED ON PAGE 5

**REMOVING THE STYLE IN MOTION MECHANISM CONTINUED:**

FOLLOW STEPS BELOW IN ORDER.



6. CUT ZIP TIES HOLDING THE SWITCH CORD, LOCATED APPROXIMATELY AS SHOWN

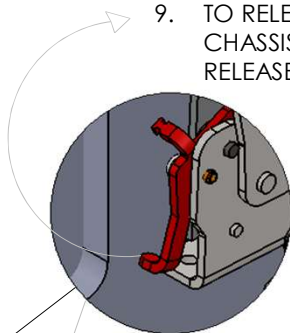


**INSTRUCTIONS CONTINUED ON PAGE 6**

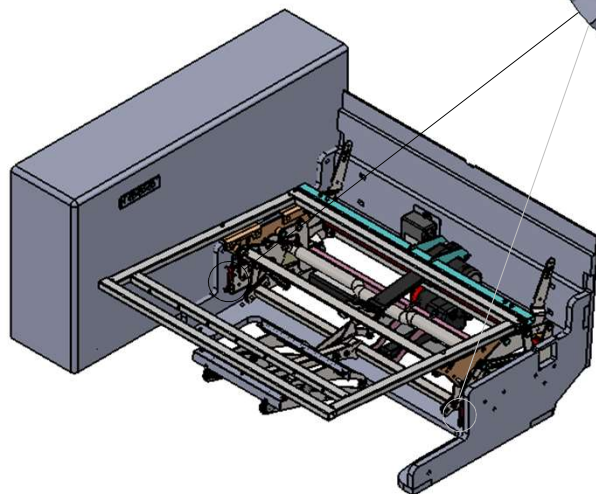
## REMOVING THE STYLE IN MOTION MECHANISM CONTINUED:

FOLLOW STEPS BELOW IN ORDER.

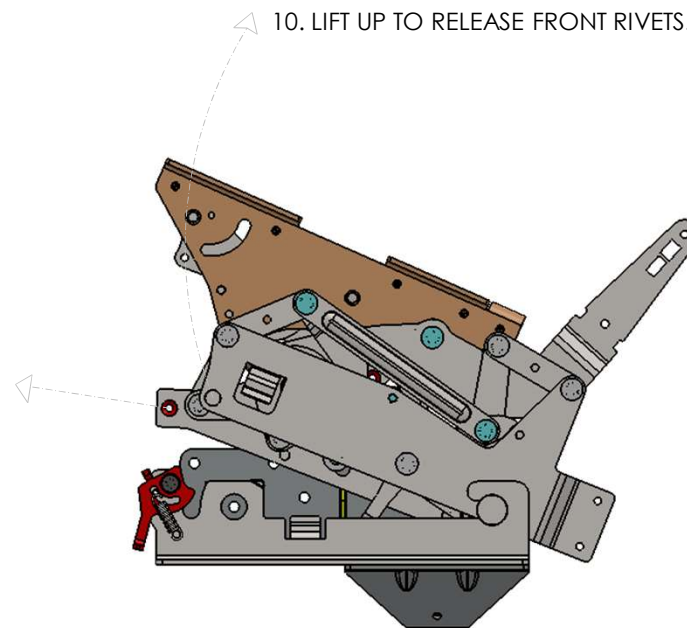
9. TO RELEASE THE MECHANISM FROM THE CHASSIS, ROTATE THE SPRING CLIP RELEASE ARMS UPWARD.



11. PULL FORWARD TO FULLY RELEASE FROM MECHANISM.

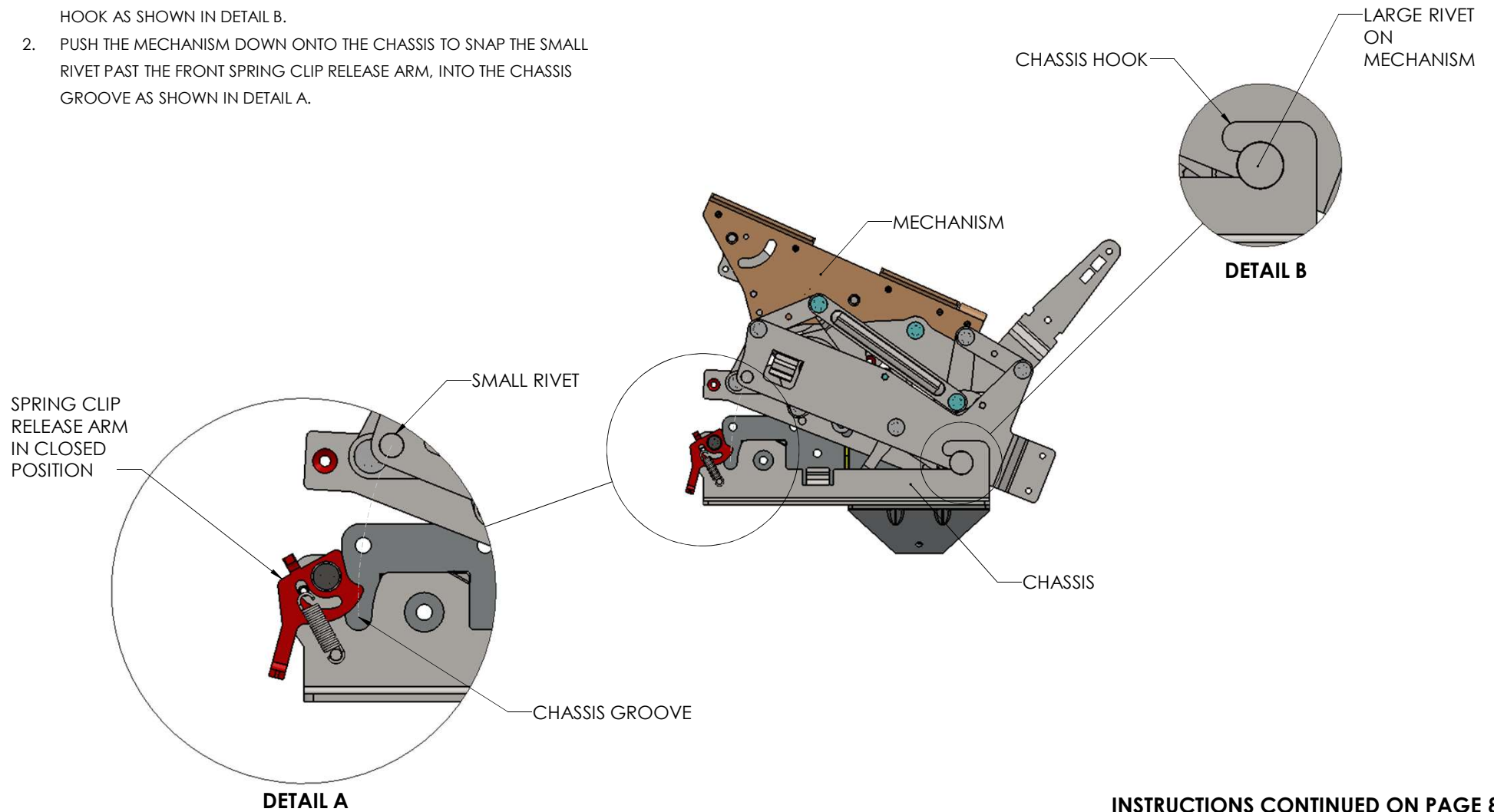


10. LIFT UP TO RELEASE FRONT RIVETS.



## PLACING MECHANISM INTO CHASSIS:

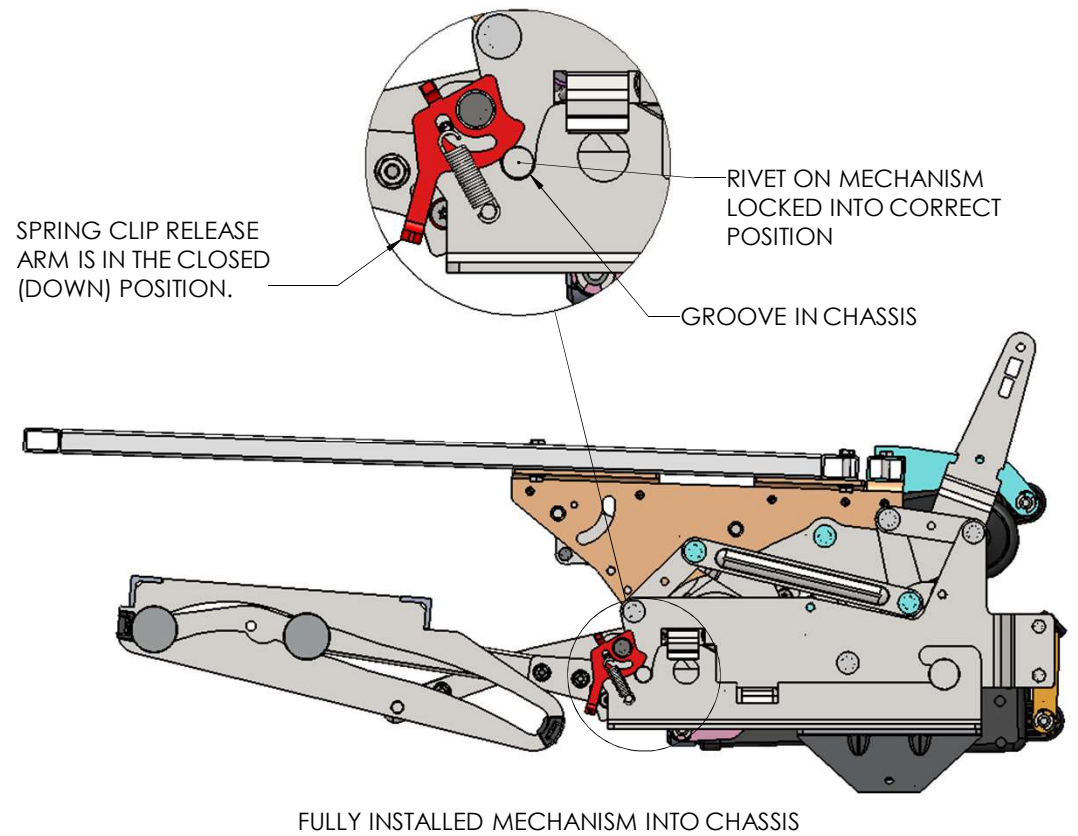
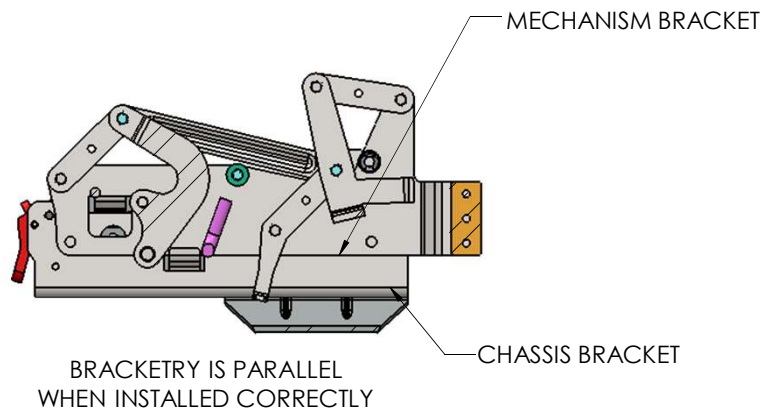
1. LINE UP THE LARGE RIVET ON THE MECHANISM INTO THE REAR CHASSIS HOOK AS SHOWN IN DETAIL B.
2. PUSH THE MECHANISM DOWN ONTO THE CHASSIS TO SNAP THE SMALL RIVET PAST THE FRONT SPRING CLIP RELEASE ARM, INTO THE CHASSIS GROOVE AS SHOWN IN DETAIL A.



INSTRUCTIONS CONTINUED ON PAGE 8

### PLACING MECHANISM INTO CHASSIS CONTINUED:

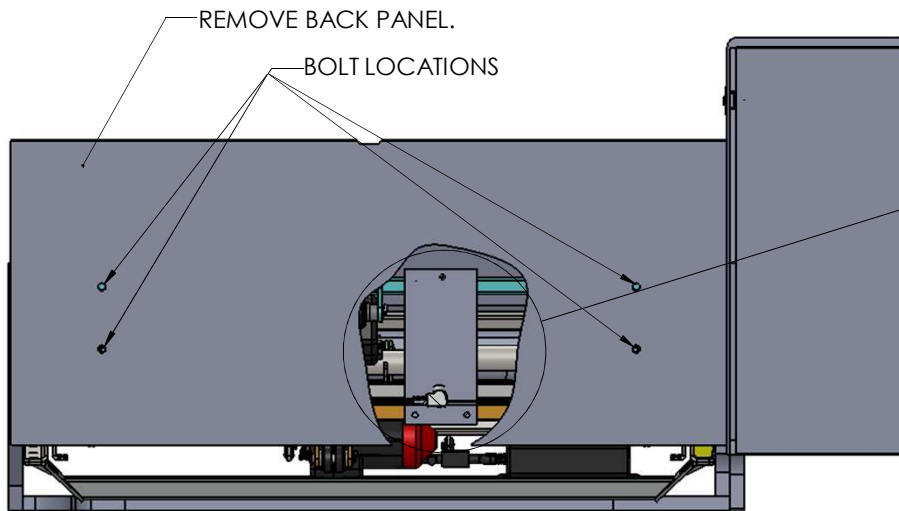
- YOU CAN TELL THAT THE MECHANISM IS CORRECTLY INSTALLED INTO THE CHASSIS BY THE MECHANISM BRACKET IS PARALLEL TO THE CHASSIS OR BY THE RIVET INSTALLED INTO THE CHASSIS GROOVE IN FRONT.



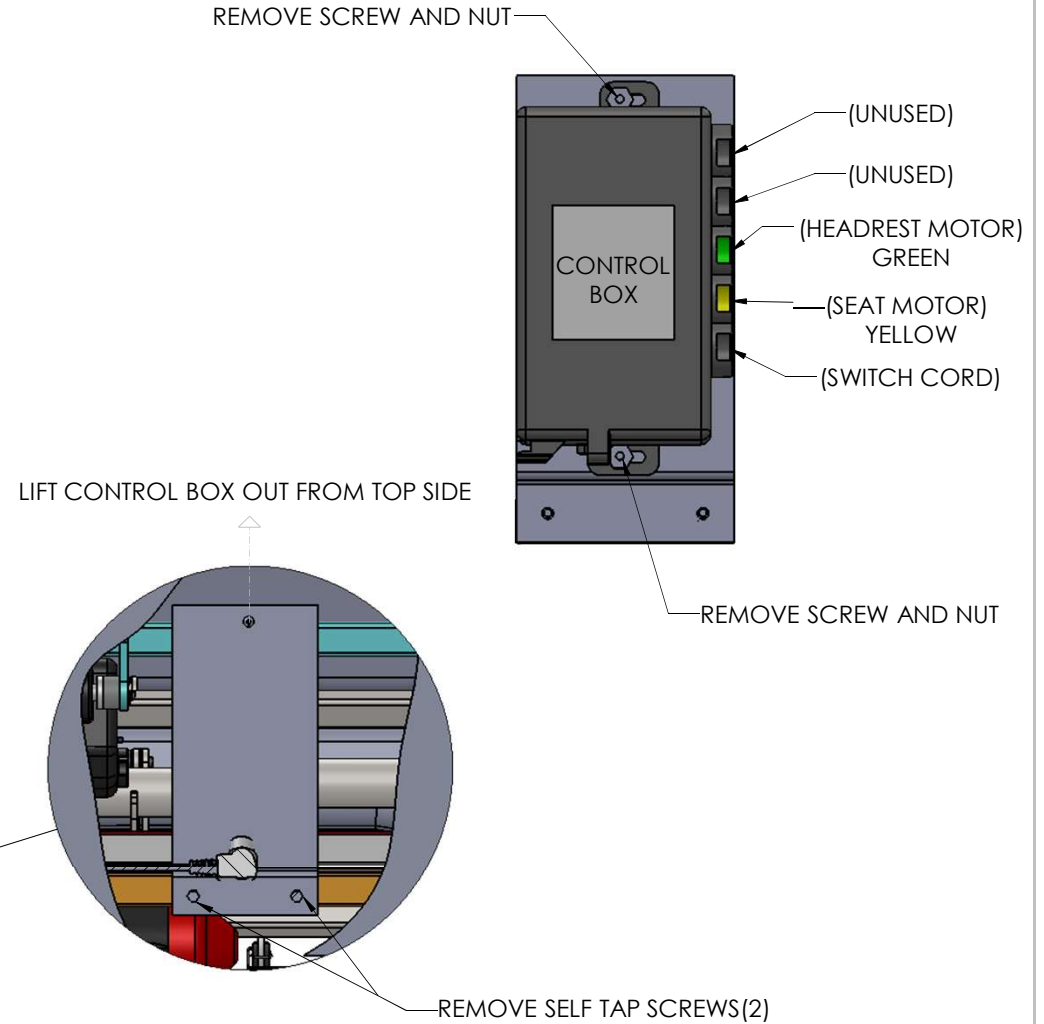


## REMOVAL AND REPLACEMENT OF THE CONTROL BOX:

1. TAKE OFF BACK PANEL BY REMOVING 4 BOLTS.
2. LOCATE THE TWO EXPOSED SCREWS(PART#162224) AND REMOVE.
3. REMOVE THE CONTROL BOX AND BRACKET FROM THE TOP SIDE.
4. REMOVE THE TWO SCREWS AND NUTS HOLDING THE CONTROL BOX TO THE BRACKET(PART#161947).
5. INSTALL NEW CONTROL BOX(PART#163346)ONTO THE MOUNTING BRACKET WITH THE NEW SCREWS(PART#140057) AND NUTS(PART#140058) PROVIDED.
6. INSTALL CONTROL BOX AND BRACKET BACK DOWN INTO THE FRAME AND ATTACH USING THE 2 NEW SELF TAPPING SCREWS(PART#162224) PROVIDED.
7. THE HEADREST MOTOR PLUG GOES INTO THE GREEN PORT ON CONTROL BOX. THE SEAT MOTOR PLUG GOES INTO THE YELLOW PORT ON THE CONTROL BOX AND THE SWITCH CORD PLUG GOES INTO THE UNMARKED PLUG IN THE BOTTOM PORT ON THE CONTROL BOX. THE TWO TOP LOCATIONS ARE NOT USED.

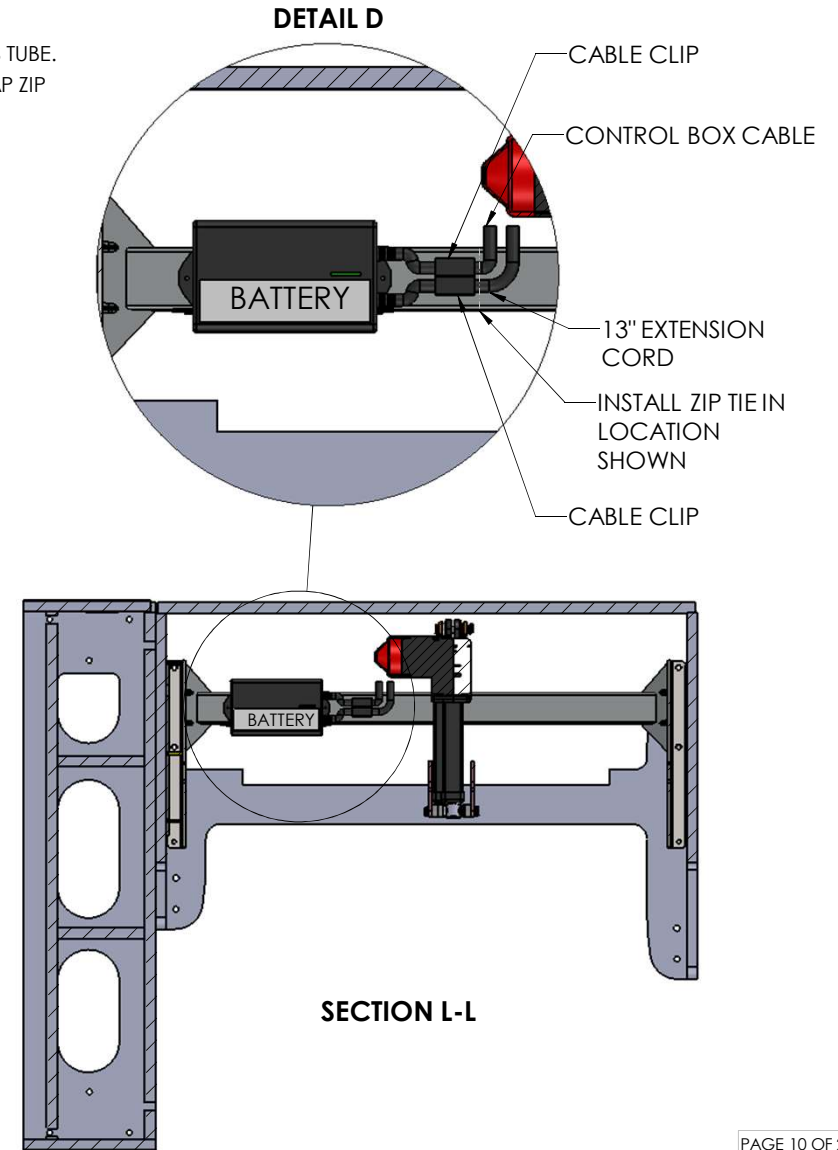
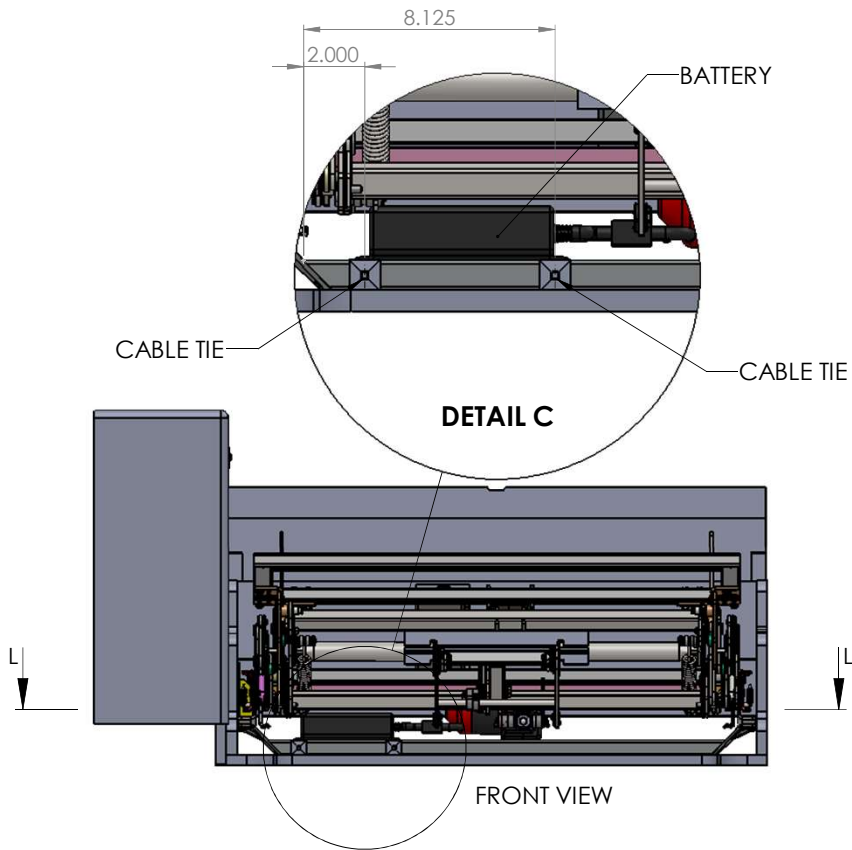


BACK VIEW



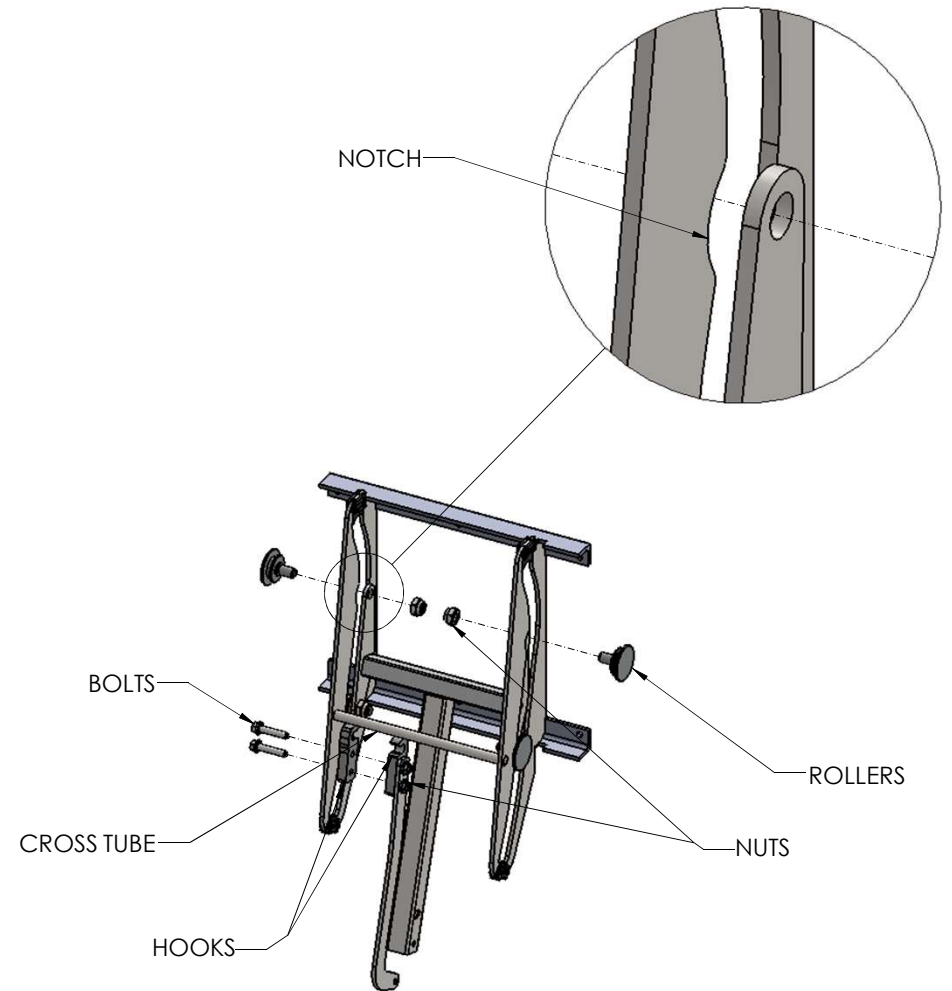
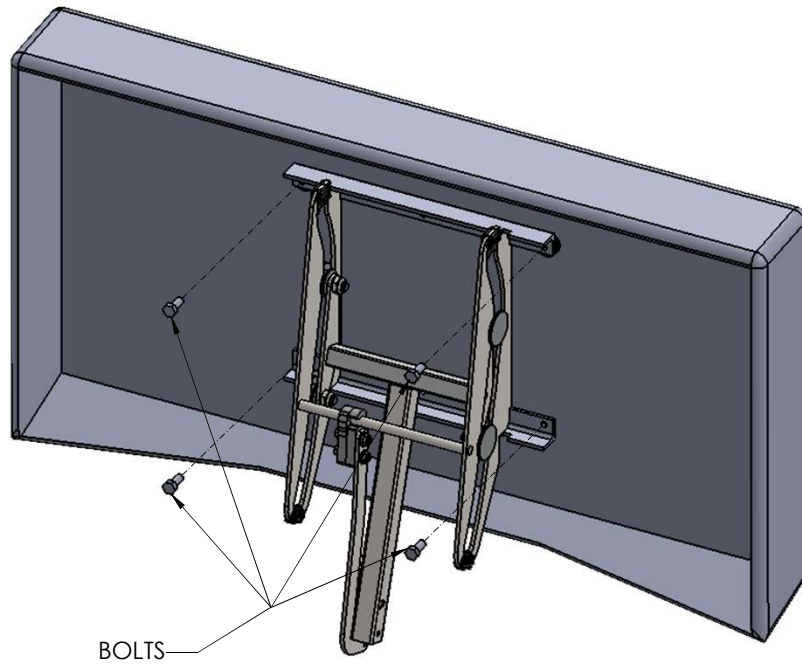
## ADDING BATTERY:

1. PLACE THE BATTERY (PART# 161429) IN THE ORIENTATION SHOWN IN DETAIL D (WIRES POINTING INWARD).
2. LOCATE CABLE TIES (PART# 153256) CENTERED AT DIMENSIONS SHOWN IN DETAIL C FROM EDGE OF CHASSIS TUBE.
3. PLACE ZIP TIES (PART# 153335) THROUGH HOLES IN BATTERY, THEN THROUGH THE CABLE TIE SLOTS. THEN WRAP ZIP TIE AROUND CHASSIS TUBE, BACK THROUGH ZIP TIE AND TIGHTEN.
4. CONNECT BOTH CABLES AND INSTALL CABLE CLIPS (PART# 161353) ON THE CONTROL BOX CORD (PART# 163346) AND THE 13" EXTENSION CORD (PART# 161800).
5. INSTALL ZIP TIE TO HOLD DOWN CORDS AS SHOWN IN DETAIL D.
6. THE 13" EXTENSION CORD NEEDS TO BE ROUTED OUT OF THE BACK OF THE MECHANISM.



## REMOVING DAMAGED FOOTREST ROLLERS:

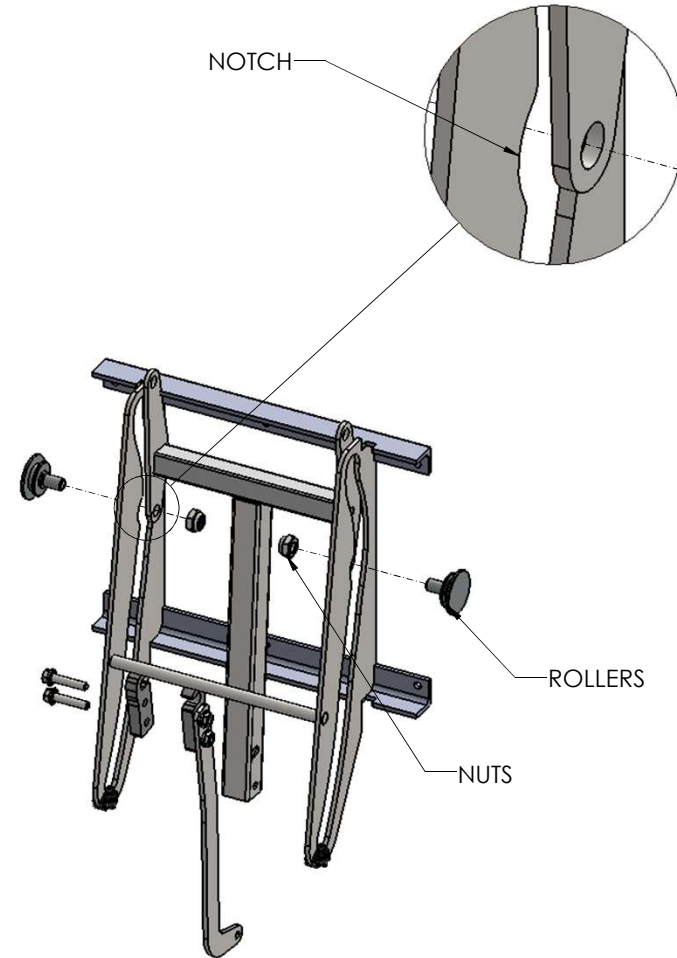
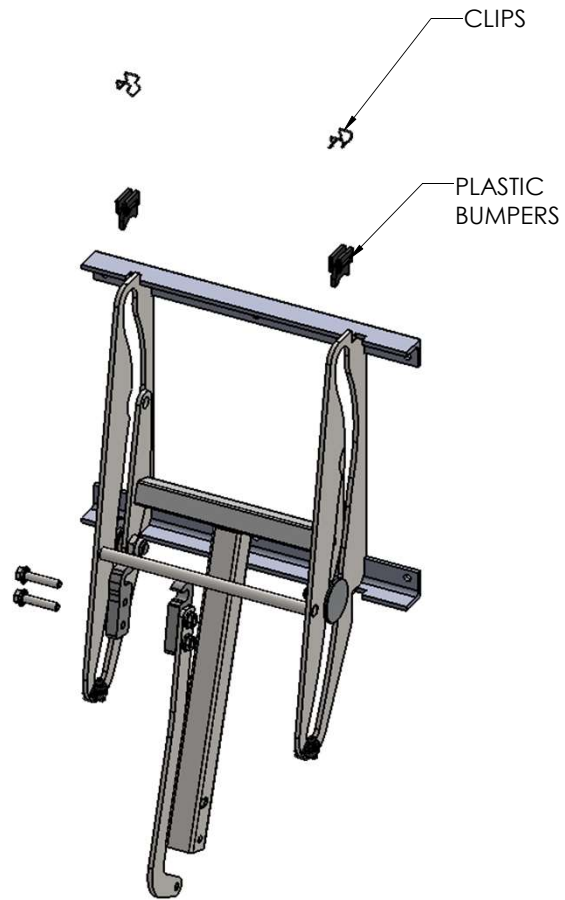
1. REMOVE THE 4 BOLTS THAT HOLD THE FOOTREST TO THE MECHANISM.
2. REMOVE HOOKS FROM CROSS TUBE BY REMOVING THE TWO BOLTS AND NUTS.
- 3.
4. SLIDE MECHANISM TO LINE THE FRONT ROLLERS UP WITH NOTCH IN TRACK. REMOVE NUTS AND ROLLERS.



INSTRUCTIONS CONTINUED ON PAGE 12

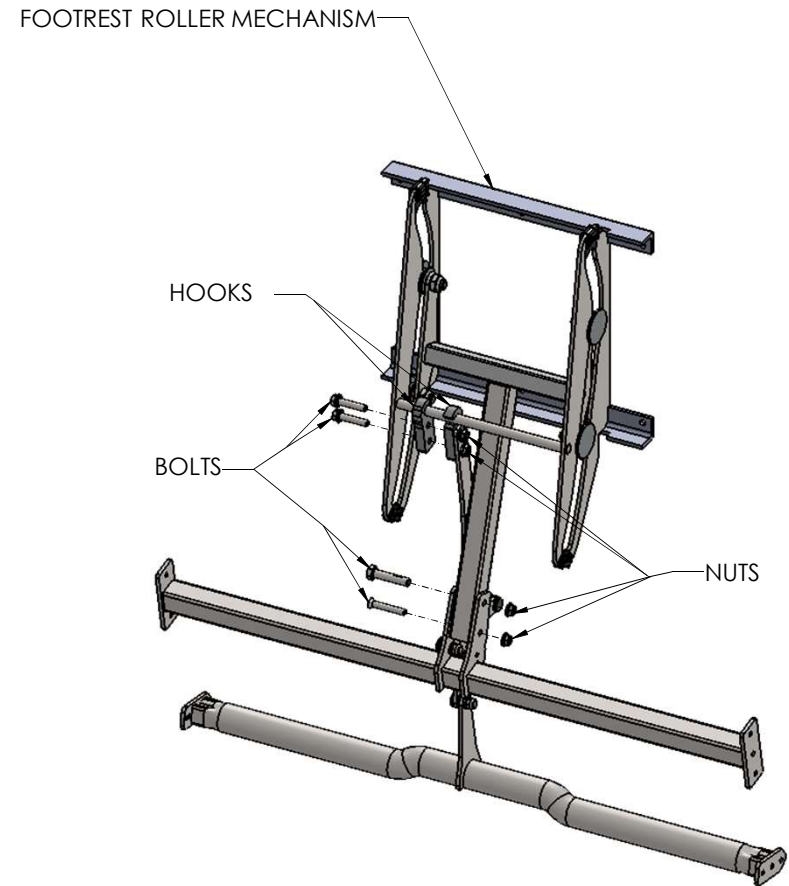
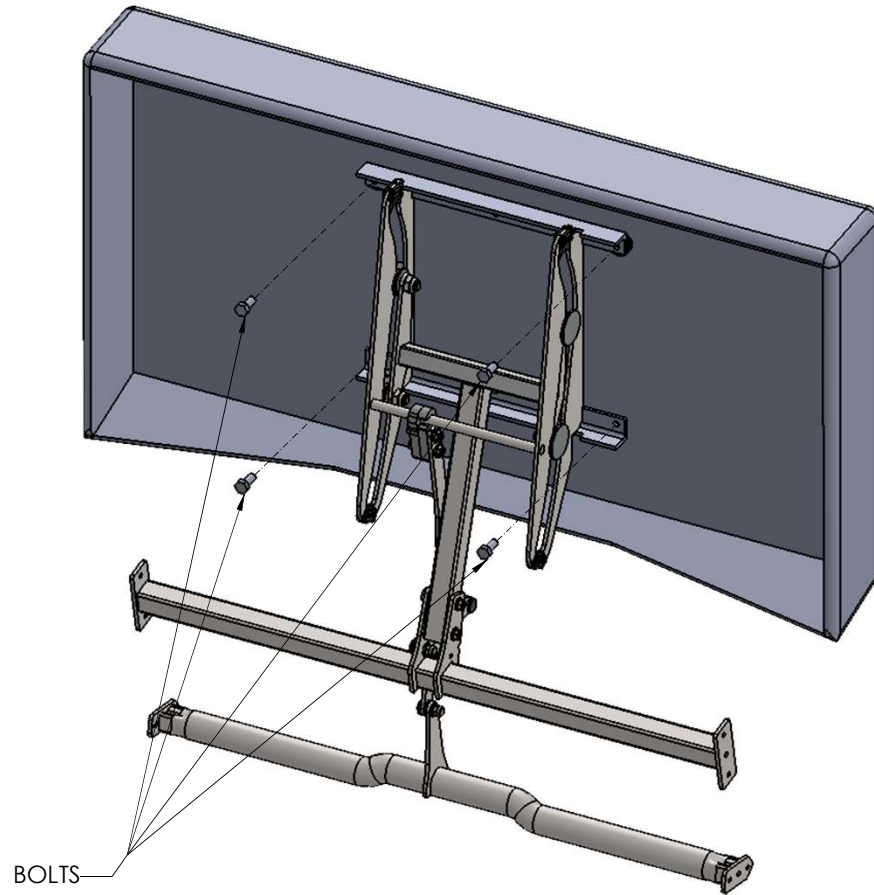
## REMOVING DAMAGED FOOTREST ROLLERS CONTINUED:

5. REMOVE THE TWO FRONT CLIPS AND PLASTIC BUMPERS.
6. SLIDE MECHANISM TO LINE THE REAR ROLLERS UP WITH NOTCH IN TRACK.
7. REMOVE NUTS AND ROLLERS.
8. INSTALL NEW ROLLERS(PART#167815).



## REMOVING DAMAGED HOOK LINKAGE OR BROKEN HOOKS:

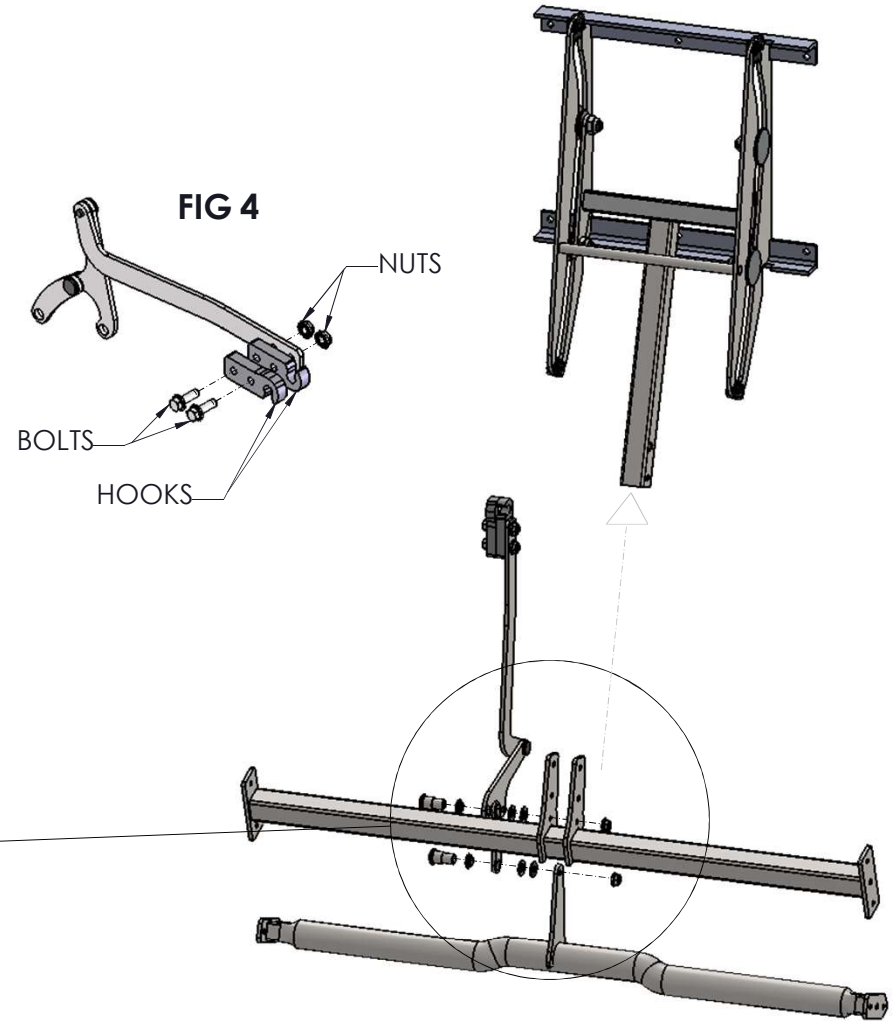
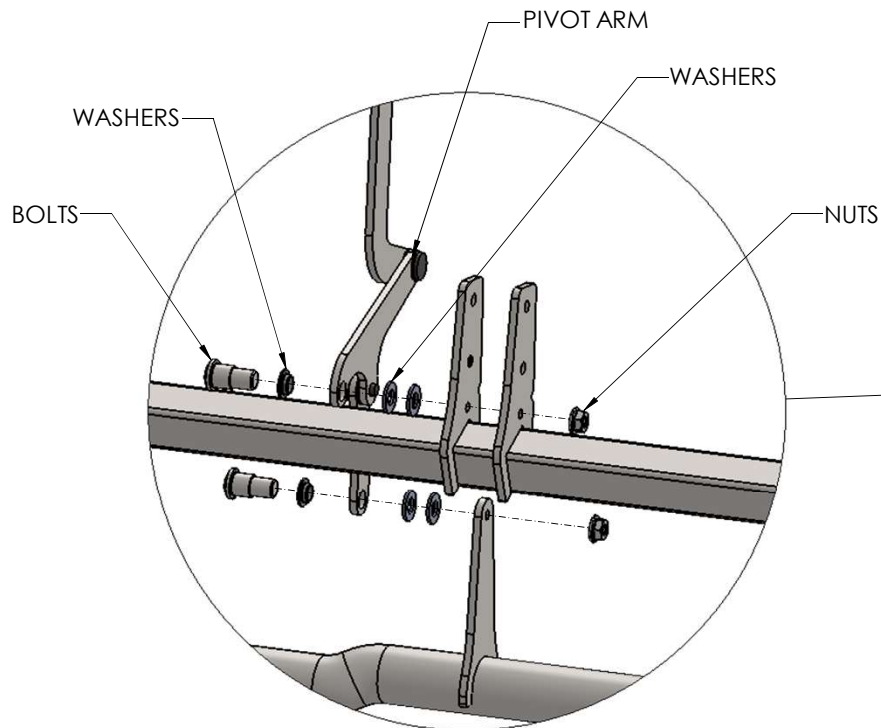
1. REMOVE THE FOUR FOOTREST BOLTS.
2. REMOVE THE TWO BOLTS FROM THE FOOTREST ROLLER MECHANISM.
3. REMOVE THE TWO BOLTS AND NUTS FROM THE HOOK LINKAGE.



**INSTRUCTIONS CONTINUED ON PAGE 14**

### REMOVING DAMAGED HOOK LINKAGE OR BROKEN HOOKS CONTINUED:

3. REMOVE THE BOLT, NUT AND WASHERS FROM THE PIVOT ARMS.
4. LINKAGE ASSY CAN NOW BE REPLACED WITH NEW LINKAGE ASSEMBLY(PART# 162985).
5. IF JUST THE HOOKS ARE BROKEN, REPLACE USING HOOK REPLACEMENT KIT(PART# 169076), SEE FIG 4.



## TROUBLE SHOOTING GUIDE

THESE ARE THE MOST COMMON ISSUES WITH THE MOST COMMON AND EFFECTIVE ANSWERS.

### 1. NOT WORKING:

- MAKE SURE POWER CORD IS PLUGGED INTO AN OUTLET.
- MAKE SURE BATTERY IS CHARGED (IF EQUIPPED WITH BATTERY). IN THE FULLY OPEN POSITION, FROM THE FRONT, LOOK UNDERNEATH TO SEE WHAT COLOR THE BATTERY LIGHT IS. SEE FIGURE 1.
- IF PLUGGED IN OR FULLY CHARGED AND IT IS STILL NOT WORKING, REQUEST SERVICE.

### 2. POWER CORD IS MISSING:

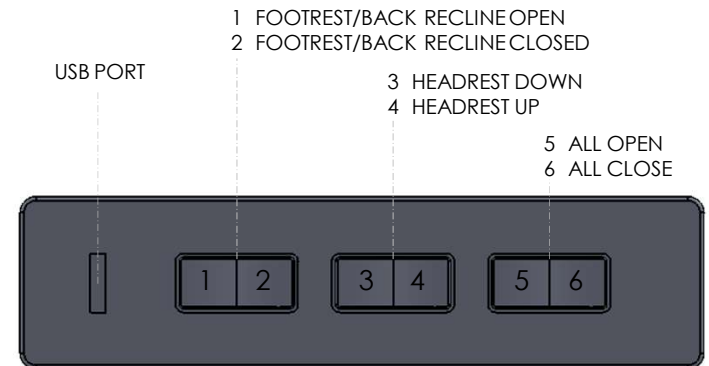
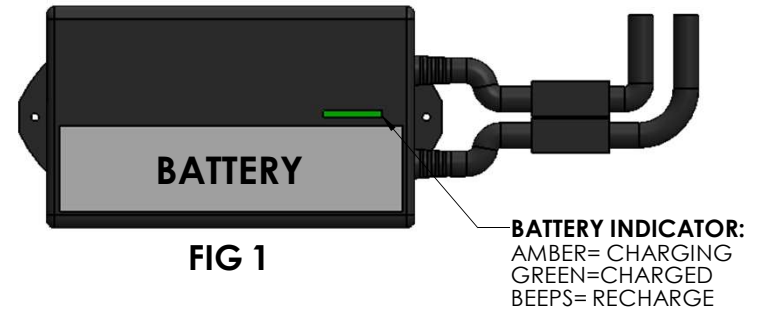
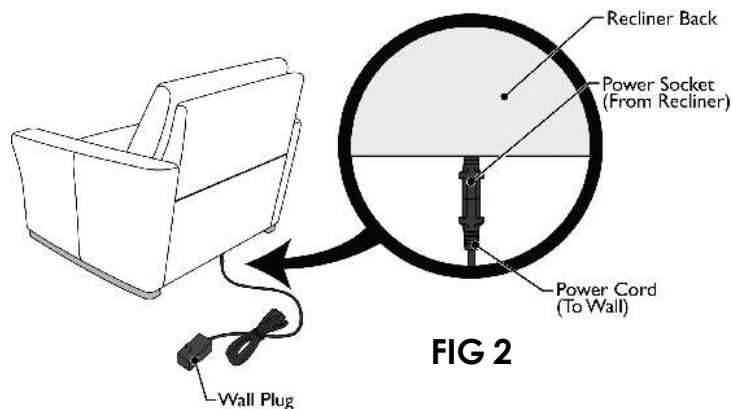
- IT IS LOCATED UNDERNEATH THE BACK, AROUND THE MIDDLE OF THE PIECE OR SECTION. LOCATE THE CORD AND PULL OUT TOWARDS YOU. SEE FIG 2.
- IF YOU ARE CERTAIN CORD IS MISSING, REQUEST SERVICE.

### 3. SWITCH NOT WORKING: NO LIGHT OR NOT OPERATING THE PIECE OF FURNITURE

- MAKE SURE POWER CORD IS PLUGGED INTO AN OUTLET.
- MAKE SURE BATTERY IS CHARGED (IF EQUIPPED WITH BATTERY).
- PULL SWITCH OUT OF ARM AND CHECK TO MAKE SURE THE SWITCH CORD IS PLUGGED INTO THE SWITCH, SEE SHEET 2.
- SEE FIG 3 FOR SWITCH FUNCTIONALITY.
- IF SWITCH IS STILL NOT WORKING, REQUEST SERVICE.

### 4. CLICKING NOISE COMING FROM CHAIR OR WHILE USING SWITCH:

- CHECK UNDER AND AROUND THE CHAIR TO MAKE SURE THERE ARE NO OBSTRUCTIONS KEEPING THE PIECE OF FURNITURE FROM BEING ABLE TO OPEN OR CLOSE FULLY.
- IF CLICKING NOISE CONTINUES, REQUEST SERVICE.



CONTINUED ON PAGE 16

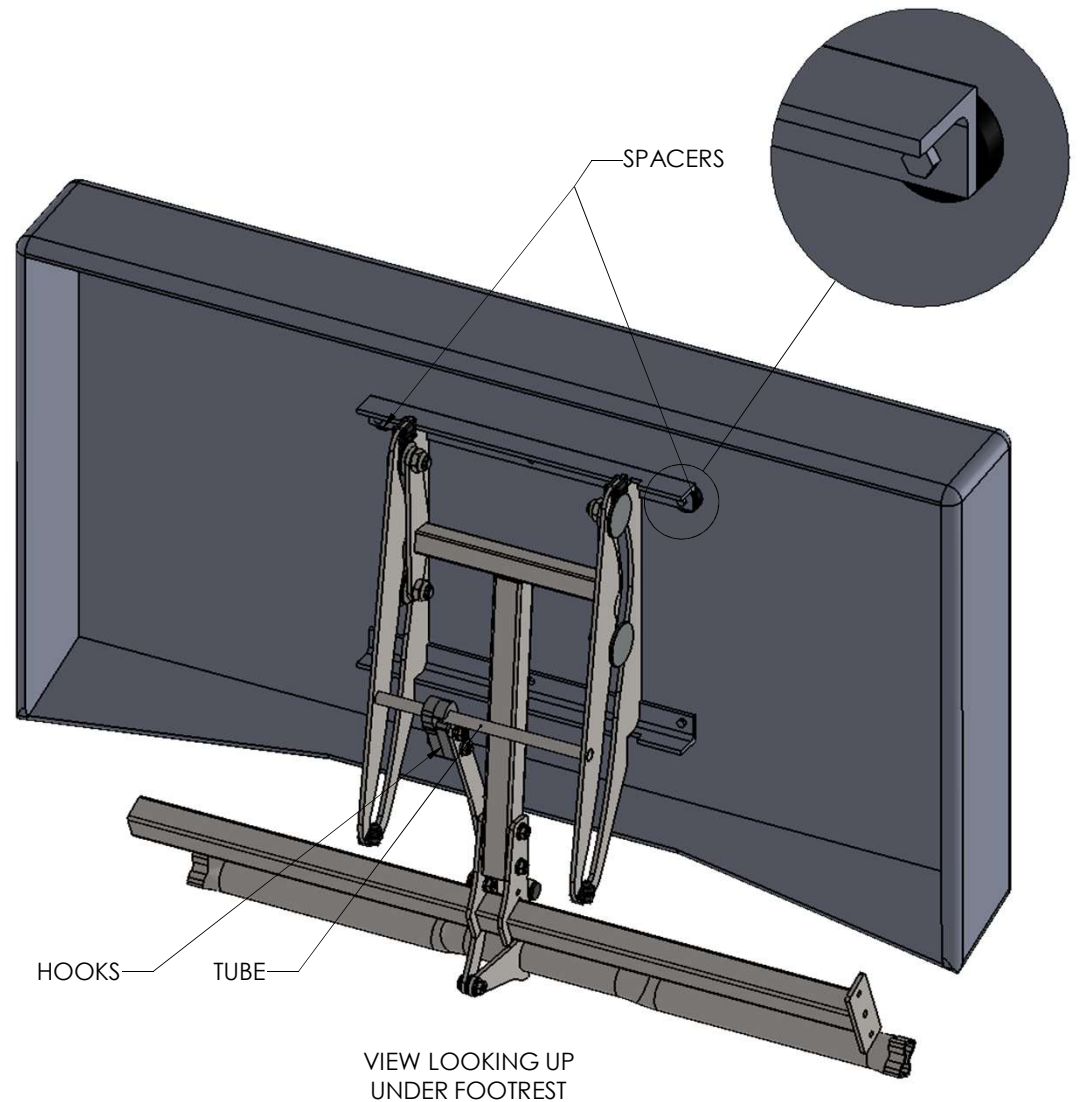
## TROUBLE SHOOTING GUIDE CONTINUED:

### 5. FOOTREST NOT LINING UP:

- MAKE SURE SPACERS ARE INSTALLED IN THE TWO FRONT LOCATIONS.
- IF MISSING, REQUEST FOOTREST SPACER KIT(PART#169075).

### 6. FOOTREST NOT CLOSING:

- MAKE SURE POWER CORD IS PLUGGED INTO AN OUTLET.
- MAKE SURE BATTERY IS CHARGED (IF EQUIPPED WITH BATTERY).
- LOOK UNDER THE FOOTREST TO SEE IF THE HOOKS HAVE DISCONNECTED FROM TUBE(VERSION 1).
- CHECK UNDER AND AROUND THE CHAIR TO MAKE SURE THERE ARE NO OBSTRUCTIONS KEEPING THE PIECE OF FURNITURE FROM BEING ABLE TO OPEN OR CLOSE FULLY.
- IF FOOTREST STILL DOESN'T CLOSE, REQUEST SERVICE.

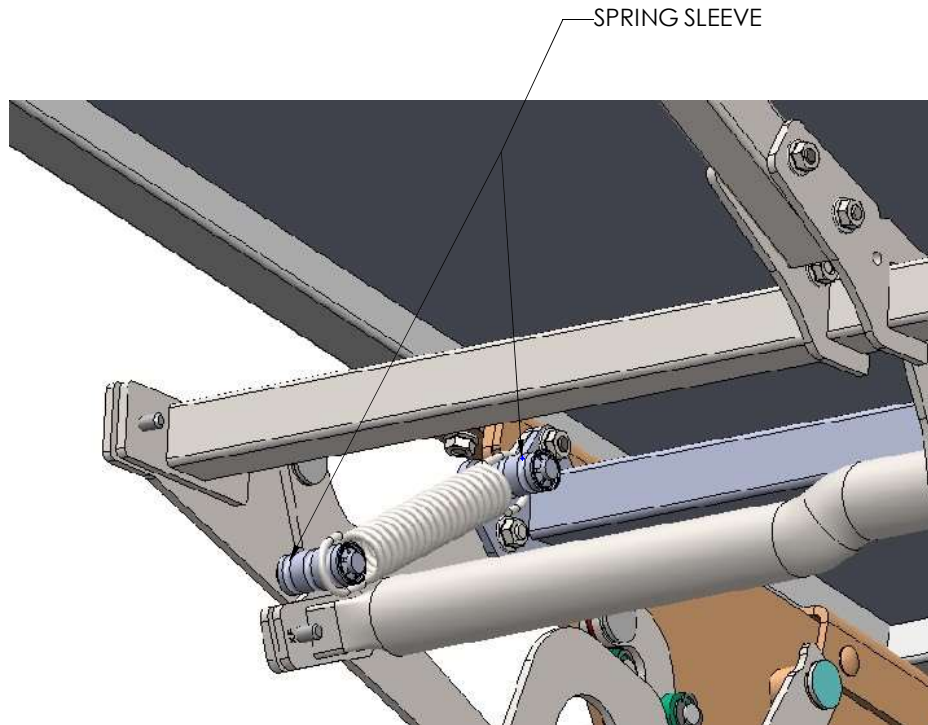


**CONTINUED ON PAGE 17**



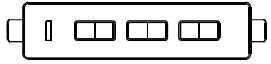
## TROUBLE SHOOTING GUIDE CONTINUED:

1. **SQUEAKY SPRINGS:**
  - MAKE SURE PLASTIC SLEEVE IS INSTALLED ON SPRING POSTS ON BOTH SIDES OF MECHANISM.
  - IF NOT INSTALLED, REQUEST SPRING SERVICE.

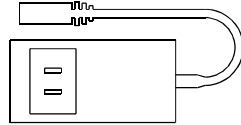


## STYLE IN MOTION PARTS:

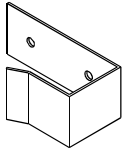
**161365-QTY. 1**  
SWITCH-3 TOGGLE  
SIM-CR2.0 W/ CABLE



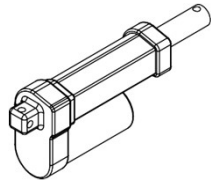
**161354-QTY. 1**  
CABLE-DC-POWER SUPPLY



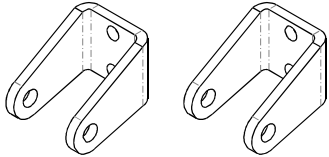
**10157-QTY. 1**  
CLIP-U SHAPE  
(USED IN ALL SKUs EXCEPT RA)



**161596-QTY. 1**  
HEADREST-MD130 MOTOR SIM



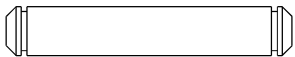
**161567-QTY. 2**  
BRACKET U-MOUNT-SIM



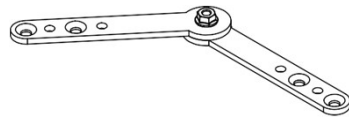
**161919-QTY. 4**  
RETAINING CLIP-KLM 8



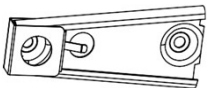
**161796-QTY. 2**  
PIN U-MOUNT-SIM



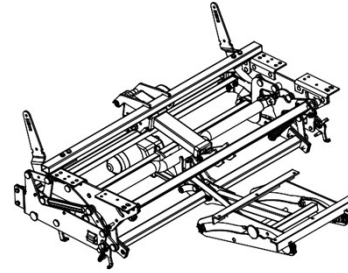
**162132-QTY. 1**  
MECH-HEADREST-HINGE-SIM (SET-2)



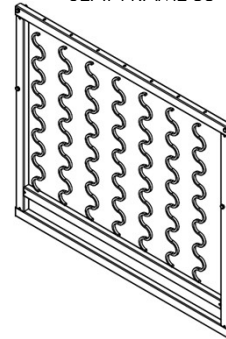
**97393-QTY. 2**  
BRACKET-KD/CLIP V2



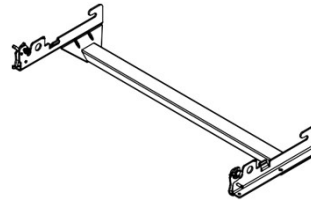
**162872-QTY. 1**  
KIT-MECH-ASSEMBLED-SIM-23  
**162868-QTY. 1**  
KIT-MECH-ASSEMBLED-SIM-35



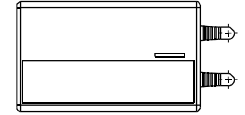
**161774-QTY. 1**  
SEAT FRAME 23"  
**161771-QTY. 1**  
SEAT FRAME 35"



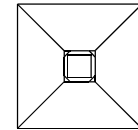
**161776-QTY. 1**  
CHASSIS-BRACKET SUPPORT-SIM 23"  
**161773-QTY. 1**  
CHASSIS-BRACKET SUPPORT-SIM 35"



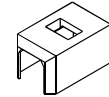
**161429-QTY. 1**  
BATTERY 2.0 RV5-RV7-MC160



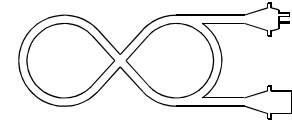
**153256-QTY. 2**  
CABLE TIE 1"X1"  
MOUNTING BASE BLACK



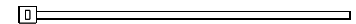
**161353-QTY. 2**  
CABLE-CLIP 400041



**161800-QTY. 1**  
CABLE-EXTENSION POWER CORD 330MM(13" INCHES)



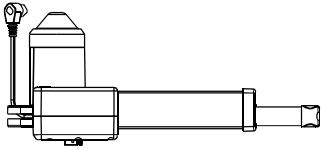
**153335**  
8" STANDARD DUTY BLACK CABLE TIE



## STYLE IN MOTION PARTS CONT:

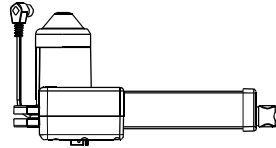
### 161598-QTY.1

MOTOR-MD121-SLAVE SIM(452349)  
(SPLITTER WIRE NOT SHOWN)



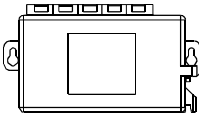
### 161599-QTY.1

MOTOR-MD121-MASTER SIM(452169)  
(CORRECT WIRING SHOWN)



### 163346-QTY.1

CONTROL-BOX-MC-220 SIM



### 161947-QTY.1

BRACKET-SIM-ELECT BOX



### 140057-QTY.2

SCR-PAN PHIL MACH  
ZP #6-32X 1/2



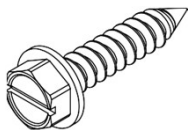
### 140058-QTY.2

NUT-HEX M/S G2 #6-32ZP



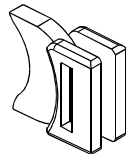
### 162224-QTY.2

WSHR-HEX-#8X3/4-EKS/2-ZP  
(USED W/ ELECT BOX)



### 167816-QTY. 2

BUMPER=FRONT-SIM



### 167817-QTY. 2

BUMPER-REAR-SIM



### 167818-QTY.4

BUMPER-CLIPS-SIM



### 167815-QTY. 4

ROLLERS-LARGE-SIM

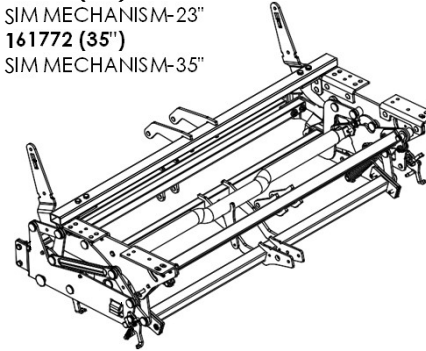


### 161775 (23")

SIM MECHANISM-23"

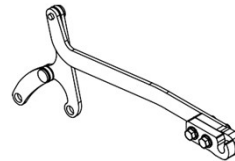
### 161772 (35")

SIM MECHANISM-35"



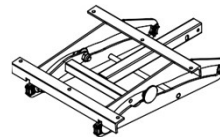
### 162985-QTY.1

FOOTREST LINKAGE-SIM



### 161778-QTY.1

FOOTREST ASSY



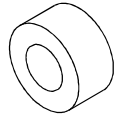
### 162957-QTY.6

SPACER-MOTOR BLK  
THIN SIM



### 162958-QTY.7

SPACER-MOTOR BLK  
THICK SIM



### 162959-QTY.4

SPACER-FOOTREST  
WHITE THIN SIM



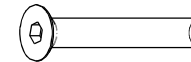
### 162960-QTY.2

SPACER-FOOTREST  
WHITE THICK SIM



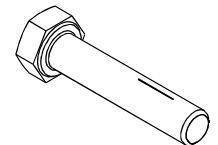
### 162983-QTY.4

SCR-6MMX40MM FLATHEAD-  
SOCKET-SIM



### 162984-QTY.4

BLT-HEX-6MMX45MM-SIM



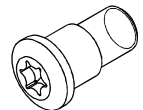
### 162962-QTY.8

NUT-6MM-FLANGE METRIC 6-  
SIM



### 162961-QTY.2

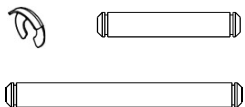
BLT-8X6X17.2 SHOULDER  
FOOTREST SIM



## STYLE IN MOTION PARTS KITS:

### 161777-QTY.1

PIN AND CLIP KIT 23" (550) & 35" (850)



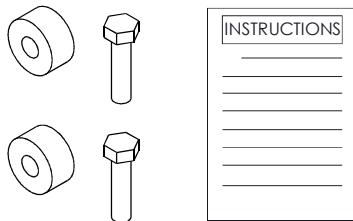
### 169075-QTY. 1

FOOTREST-SPACER-KIT

(QTY 2-168035 SPACER-NYLON-BLACK)

(QTY 2-10035 BLT 1/4-20X1.25 BL)

(QTY 1- 169078 INSTRUCTIONS)



### 169076-QTY. 1

PLASTIC-HOOK-SIM-KIT

(QTY 2- 167819 PLASTIC-HOOK-SIM)

(QTY 2- 10035 BLT 1/4-20X 1.25 BL)

(QTY 2- 10578 NUT)

(QTY 1- 169077 INSTRUCTIONS)

