

COMFORT RECLINER BY AMERICAN LEATHER®

DEMI



**AMERICAN
LEATHER**

Standard Features:

- Premium high-density, high-resiliency foam seat cushion
- Double-needle top stitching
- Tight back and seat cushion
- Articulating headrest
- Stainless steel footrest extension hides all mechanical linkages
- Quick-ship delivery
- Lifetime warranty on frame
- Ten year warranty on mechanism

Options:

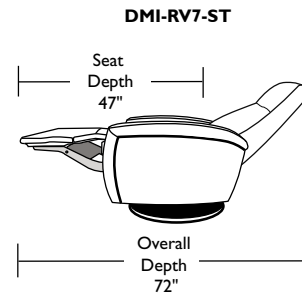
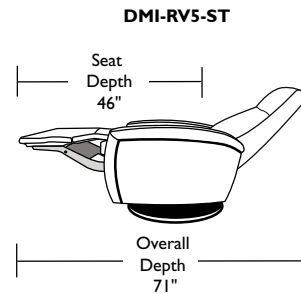
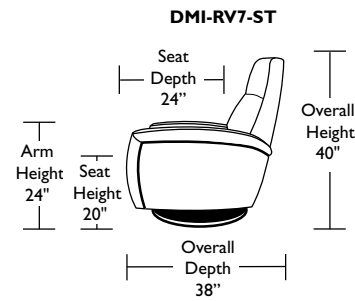
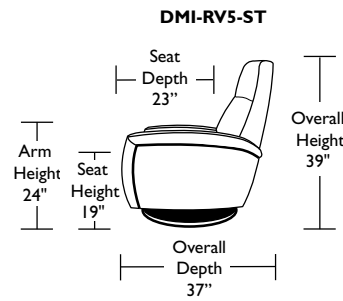
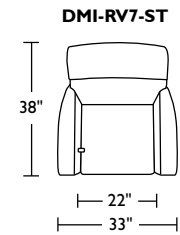
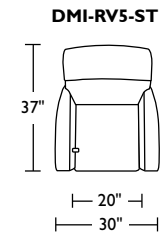
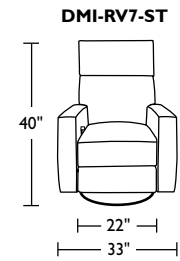
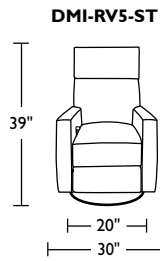
- Swivel base available in wood (Natural Walnut or Gray Ash) or Brushed Metal
- Fixed wood legs available in Natural Walnut or Gray Ash
- Extra firm seating option (Seat cushion, back cushion, and headrest)
- Stainless Steel lever available on manual recliner
- Headrest cover available
- Order HRC-RV5-TT or HRC-RV7-TT

Additional Power Options:

- Power motor mechanism with an in-arm control panel that is easy to use and includes a USB charging port
- Control panel is LED backlit with auto-fade after 5 seconds
- Power motor has a five year warranty
- Rechargeable battery pack available with the power motor option
- Battery pack has a one year warranty

U.S. Patent # 8882190 & 9504328
 China Patent #201280015832, 201510836445, & 201510836650
 Additional patents pending

Wall clearance is 12-16"



All dimensions are approximate and subject to change. V03.28.19

Note: Microfiber fabrics such as SUEDELIFE and VEELIFE not suggested for this style