

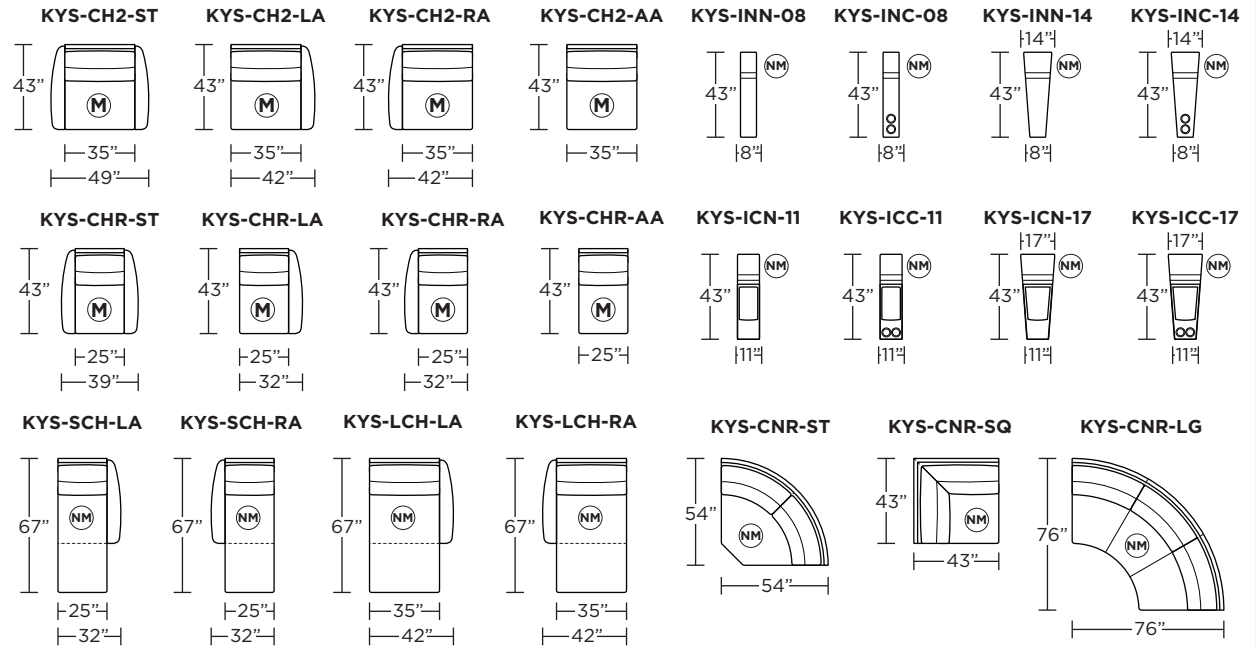
**Standard Features:**

- Premium high-density, high-resiliency foam seat cushions with memory foam topper
- Advanced unidirectional suspension system
- Semi-attached back cushions
- Tight seat cushions
- Double-needle top-stitch
- In-arm control panel is easy to use and includes a 2-amp USB charging port
- Control panel is LED backlit with auto-off after 5 seconds
- Power headrest
- Lifetime warranty on frame and suspension
- Five-year warranty on mechanism
- Three-year warranty on motor

**Options:**

- Premium high-density, high-resiliency foam seat cushions with memory foam topper encased in down
- Choice of decorative stitch detail - blanket, cross, double-needle, or zig-zag
- Contrasting stitch detail available in Black, Brown, Charcoal, Cream, Espresso, Grey, Lemon, Pink, Royal, Scarlet, Tangerine, or Teal thread color
- Adjustable lumbar support
- 4-amp hour lithium-ion battery pack available
- Battery pack has a one-year warranty
- Easy disassembly for delivery
- Console wood trim available in Dark Brown Ash or Natural Walnut (Available only on ICN-11, ICC-11, ICN-17, and ICC-17)

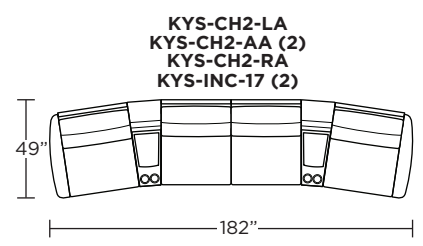
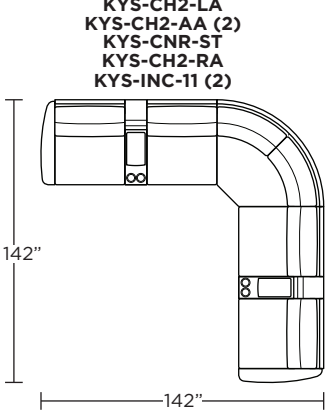
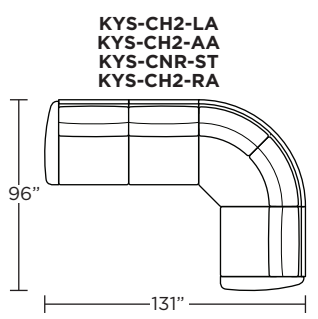
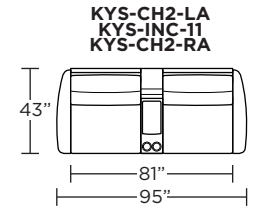
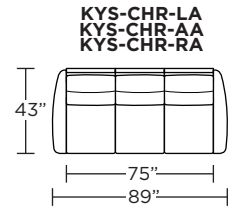
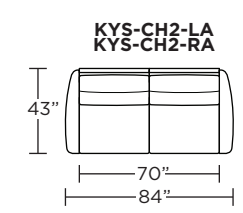
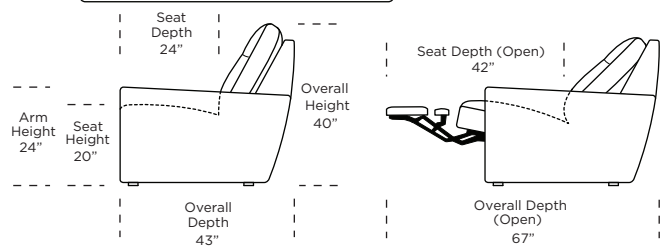
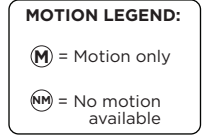
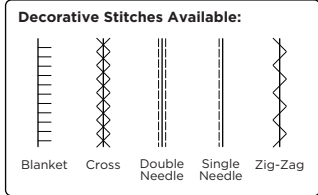
**KEYSTONE**



**Suggested Configurations**

Please use actual leather, fabric, Crypton®, Sunbrella® and Ultrasuede® swatches when specifying furniture as the colors shown may vary due to the printing process.

**Note:** Microfiber fabrics such as SUEDELIFE and VEELIFE not suggested for this style. Please contact American Leather® Support Services for a complete list of recommended fabrics.



**Note:** Dotted line indicates seam on leather, Ultrasuede® and up the roll fabrics. Seams are eliminated with railroaded fabrics.

Safe low voltage electrical components are UL listed.

Scale : 1/8 inch = 1 foot  
All dimensions are approximate and subject to change.  
Specify all components from the sitting position.