

# AMERICAN LEATHER® CLASSICS COLLECTION

---

## SAVOY



**AMERICAN  
LEATHER®**

AMERICAN LEATHER®  
 AMERICAN LEATHER® CLASSICS COLLECTION  
 SOFAS & SECTIONALS

**SAVOY**

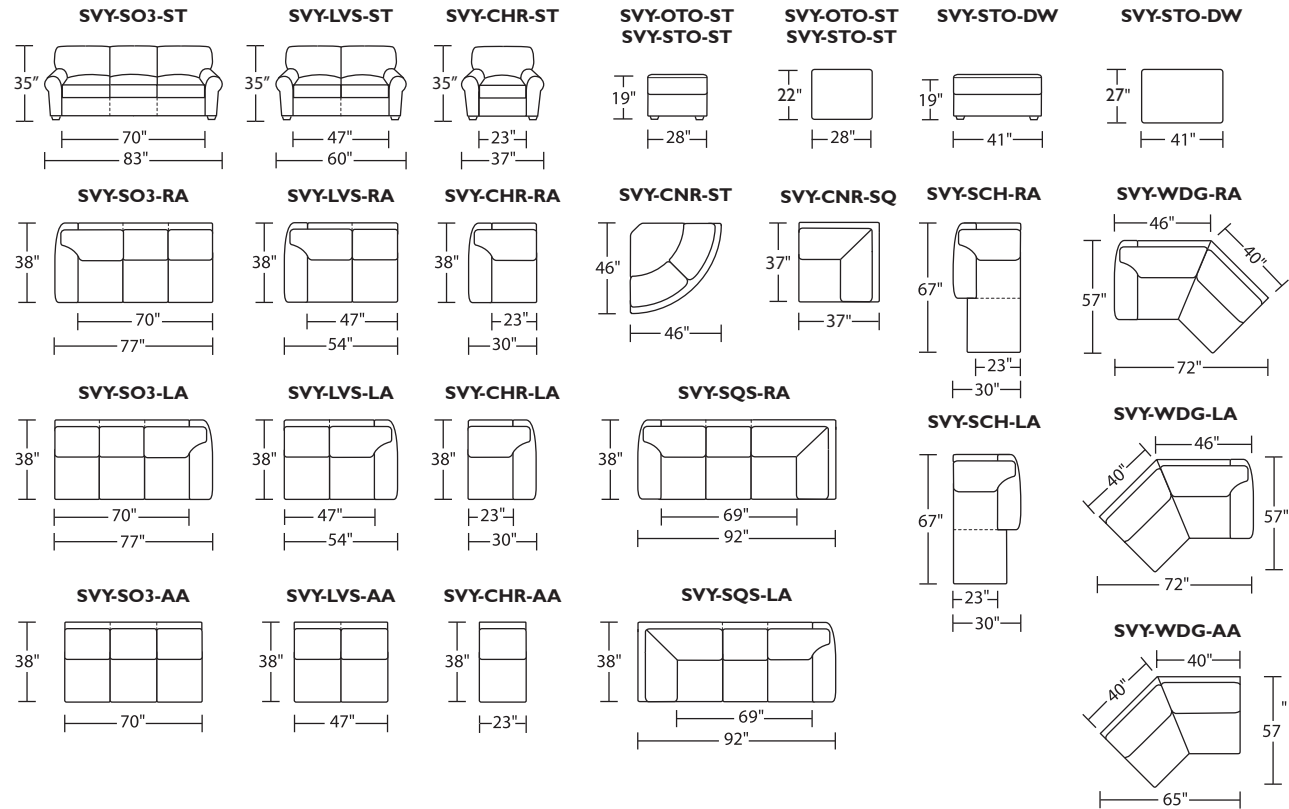
**Standard Features:**

- Advanced unidirectional suspension system
- Premium high-density, high-resiliency foam seats
- Quick-ship delivery
- Lifetime warranty on frame & suspension
- Double-needle top stitching
- Welt cord trim on front arms
- Loose back & seat cushions

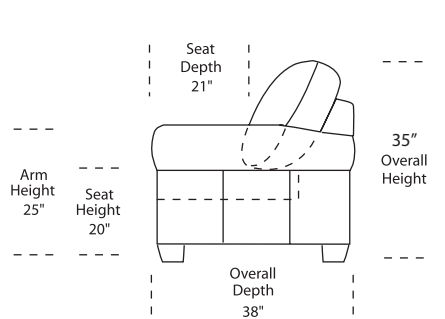
**Options:**

- Wood legs available in Acorn, Espresso or Walnut finish
- Premium high-density, high-resiliency foam seats encased in down
- Extra firm premium high-density, high-resiliency foam seats

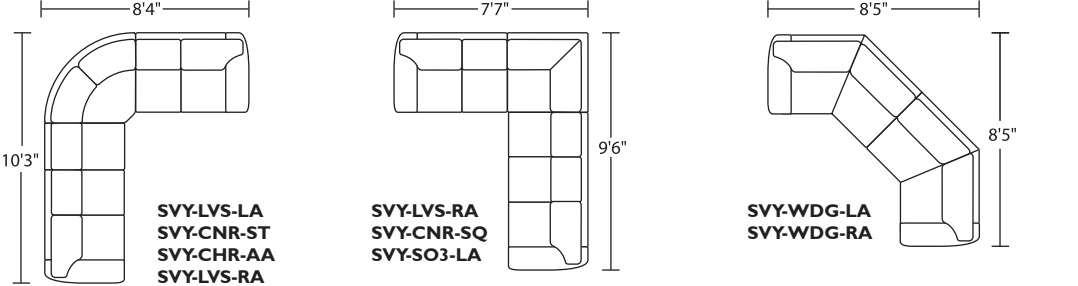
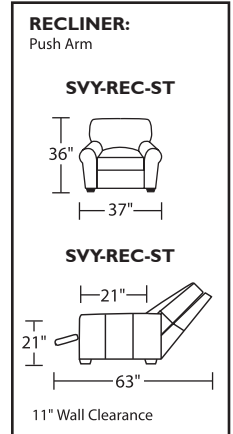
Please use actual leather, fabric and Ultrasuede® swatches when specifying furniture as the colors shown may vary due to the printing process.



**Suggested Configurations**



\*Note: arm height for this frame is measured at the highest point of the arm.



**Note:** Dotted line indicates seam on leather and up the roll fabrics. Seams are eliminated with railroaded fabrics.

Also available in seven different bed sizes as **GINA** in the Comfort Sleeper™ Collection  
 Comfort Sleepers utilize the Tiffany 24/7™ Convertible bed mechanism, US Patent # 6904628. Additional patents pending

Scale: 1/8 inch = 1 foot  
 All dimensions are approximate and subject to change  
 Specify all components from the sitting position

V.09.22.16